

INDUSTRIAL WEIGHING SOLUTION™



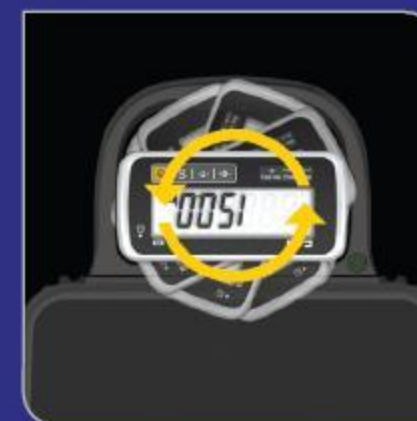
Large LCD display



Portable type



Disattachable display



Disattachable display

PB SERIES

Portable Bench

- Easy to carry portable type
- White backlight
- Disattachable display
- Auto power-off
- Auto zero tracking
- Available capacity : 30kg~200kg
- Battery operating : up to 300 hours of continuous use

Major places of use

- ▶ Home delivery companies
- ▶ Farm products, Dried fish, Fruits & Vegetables
- ▶ Meat processing companies
- ▶ Hospital, School, Fitness center



CAS

PB SERIES | Portable Bench

TOTAL WEIGHING SOLUTION™

SPECIFICATIONS

Model	PB series			
Max.capacity (kg)	30	60	150	200
Readability (g)	5/10	10/20	20/50	50/100
External resolution	1/2,000 ~ 1/3,000(dual)			
Display digit	6 digits (weight)			
Display type	LCD			
Operating temperature	-10°C ~ +40°C			
Power	Battery, AC adapter			
Battery life	Alkaline battery: 300hrs/140hrs Rechargeable: 60hrs/25hrs			
Platter size (mm)	355(W) x 443(D)			
Dimensions (mm)	355(W) x 611(D) x 65(H)			
Product weight (kg)	6.2			

FEATURES

- Easy-to-carry portable type
- Dividing LCD display and body
- White backlight
- Battery operating
Up to 300 hours of continuous use
- Auto power-off
- Auto zero tracking
- Available capacity : 30kg~200kg
- Rechargeable battery
- RS-232C interface



OPTIONS

- Adapter

Customizing : Burden cover design

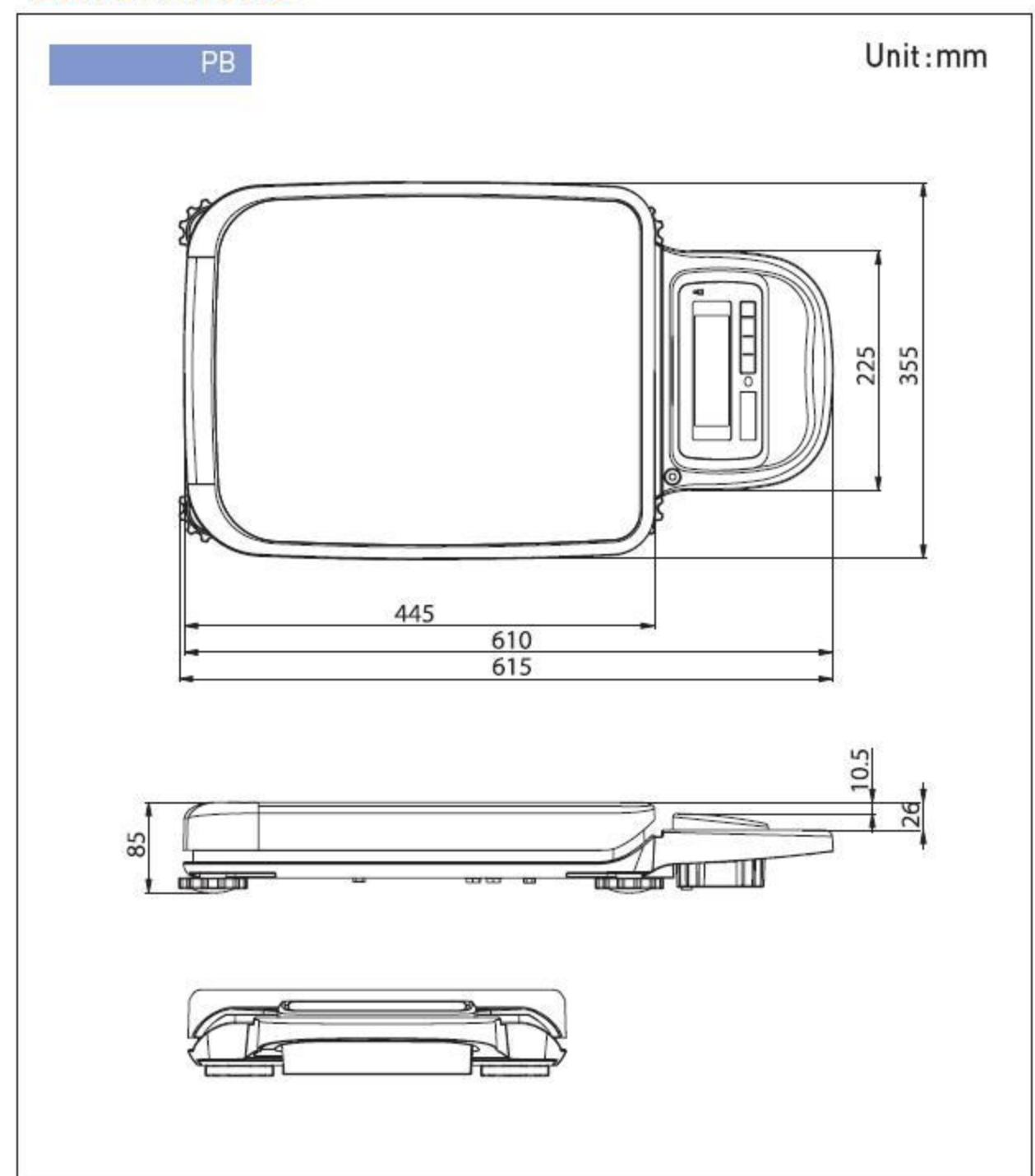


Major places to be used



- ▶ Home delivery companies
- ▶ Farm products, Dried fish, Fruits & Vegetables
- ▶ Meat processing companies
- ▶ Hospital, School, Fitness center

DIMENSIONS



新發興機械(馬)有限公司
Sin Huat Hin Machinery (M) Sdn. Bhd.

241232-A

Since 1988

<http://www.shhmach.com>

Email: sinhuathin@shhmach.com

HEAD OFFICE, SHOWROOM, & WORKSHOP

No. 697, Taman Chip Aik, Jalan Tun Dr. Ismail, 70200 Seremban, NSDK, Malaysia.

TEL: +(6) 06 763 3388, +(6) 06 765 3338 FAX: +(6) 06 762 8188, +(6) 06 765 3339

KUALA LUMPUR BRANCH OFFICE

No. B1-00-20, Jalan SR 1/9, Taman Serdang Raya, Sri Kembangan,

43300 Serdang Raya, Selangor, Malaysia.

TEL : +(6) 03 8942 5711, +(6) 03 8945 2202 FAX: +(6) 03 8948 3151

C-42709002