

RETAIL WEIGHING SOLUTION™



LCD display



Paper Cartridge



Direct PLU keys
& function keys

CL3000 SERIES

**It's the best network solution
for your business!**

- Flexible & reliable network system (wired / wireless)
- Easy loading paper cartridge
- Free format label design
- User friendly PC software



CAS

CL3000 SERIES



Feature title

PLU Keys

The embossing membrane type keypad adds a steady look of CL3000-P and CL3000-B.

Double-click function provides easy access to the key's secondary PLU, totaling in double of PLU key number.

(P type : 72 PLU key, B type: 40 or 60 PLU key)



Display

Numeric and graphic combined LCD display suitable for any environment.

Numeric LCD(4/5/6/6) + Full Graphic LCD(16x198)



Printer

High speed thermal printer that supports label/ticket printing. Guaranteed satisfaction with 90mm/s to 110mm/s speed and 202dpi resolution.



中文字

Interface

It supports 2PCS of RS232C, RJ11 for cash drawer and RJ45 for Ethernet connection.

Paper Cartridge

Cartridge loading type supports quick and easy replacement of new label roll.



PRODUCT LINE UP

- CL3000 is compatible with CL5000 series in the same network
- Combined wide LCD looks better than CL5000's



CL3000-B



CL3000-P

CL5000 LINE UP



CL5000-B



CL5000-P



CL5000-R



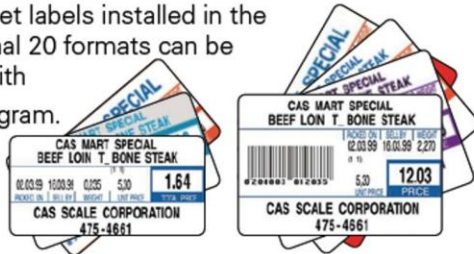
CL5000-H



Software

Label Formats

There are 40 preset labels installed in the scale and additional 20 formats can be modified freely with CL-Works, PC program.



Barcode

Almost every conventional 1-Dimensional barcode types are available:

UPC, EAN13, EAN13A5, I2OF5, CODE128, CODE39, CODE93, CODABAR, IATA2OF5



PC Software : CL-Works

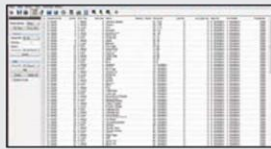
It supports PLU programming, store data, sales report, label editor and much more. You can control all the program data by CLWorks. CL5000 and CL5500 share this software with CL3000.

Menu System

No need to scroll through menus for programming settings. Unique 4 digit 'Menu Code' entry pin helps pinpoint the desired program field.

ex) Menu code '1120' is for editing PLU name.

CL-work



PLU Editor

Enable to easy PLU control
Allows PLUs management by excel



Label Editor

20 modifiable label formats
Easy downloading of label formats

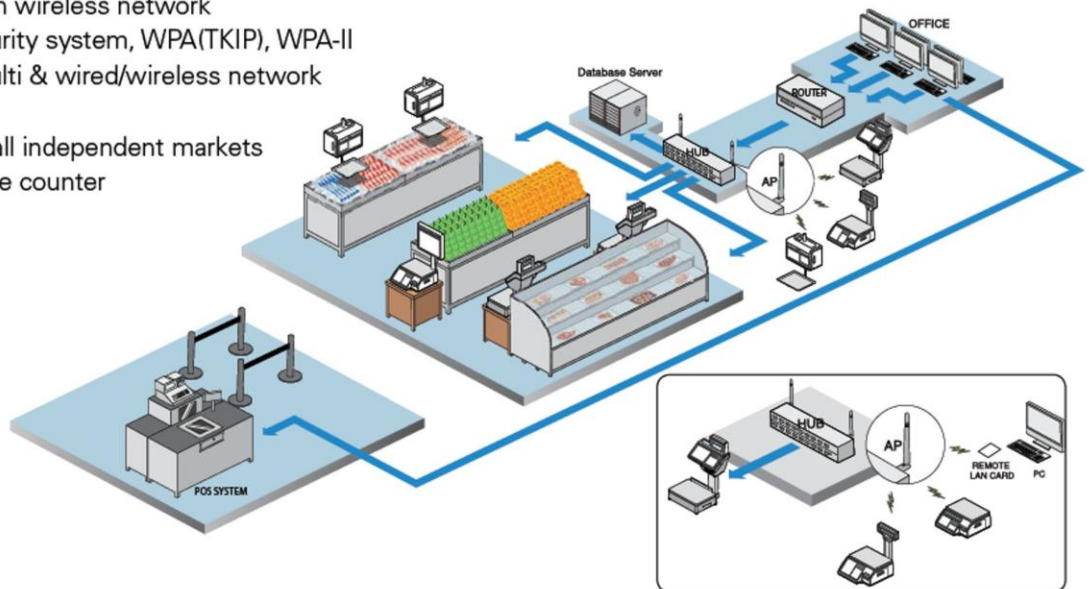


Keypad Editor

Easy to setup and download
Key design colour Image Keypad supported

Network System

- TCP/IP communication protocol
- IEEE802.11G specification wireless network
- 64/128 bit WEP data security system, WPA(TKIP), WPA-II
- One to one & multi to multi & wired/wireless network
- Network structure for
 - Large, medium and small independent markets
 - Pre-pack and self-service counter
 - Hyper market



▲ Mixed with Wired / Wireless Network

▲ Multi to Multi

CL3000 SERIES | Network Scale



SPECIFICATIONS

Model	CL3000		
Max.capacity (kg)	6	6 / 15	15 / 30
Readability (g)	2	2 / 5	5 / 10
External resolution	1/3,000 (dual interval)		
Display Type	24 Numeric + Graphic		
Printing speed	100mm / sec		
Printer resolution	202dpi		
Label size (mm)	Width : 40~60, 30~100		
Power	AC 180~240V 50 / 60Hz		
Platter size (mm)	380 X 240		
Product weight (kg)	6.95(CI3000-B), 7.65(CI3000-P)		
I / O	RS232c, RJ11, TCP / IP		

FEATURES

- Memory capacity : 3,000PLU
- Speed key : B-type (40direct plu or 60 direct plu)
P-Type (72direct plu)
- High-speed thermal printer (100mm / sec)
- Paper replacing method : cartridge
- 40 fixed format & 20 customized format design

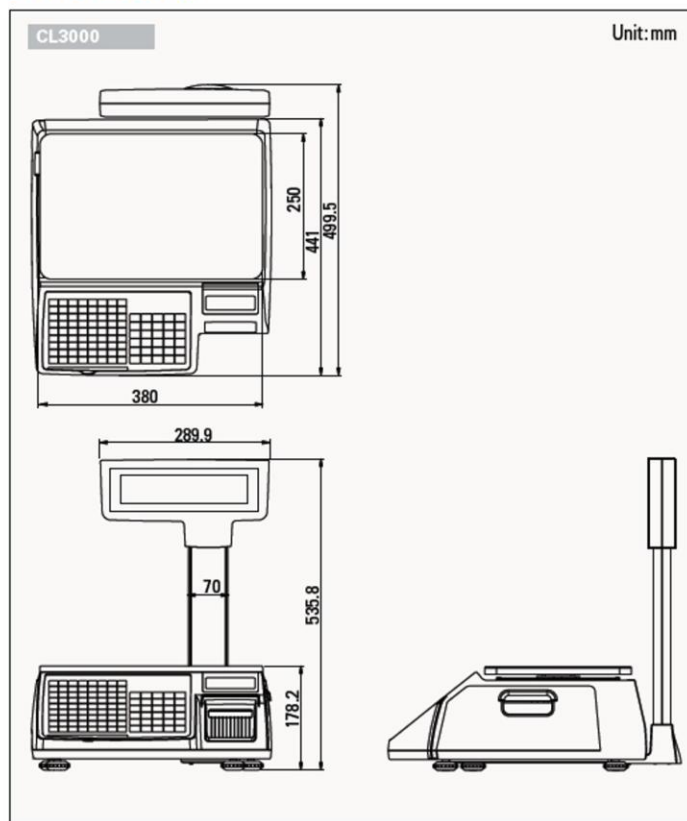
OPTION

- Wireless bridge card

- External Platform

Capacity	x	Resolution	Platter Size (W x D)
30/60kg	x	10/20g	300 x 400 mm
60/150kg	x	20/50g	
150/300kg	x	50/100g	
300/600kg	x	100/200g	

DIMENSIONS



CAS BLDG., # 440-1, SUNGNAE-DONG,
GANGDONG-GU, SEOUL, KOREA

TEL_ 82 2 2225 3500
FAX_ 82 2 475 4668

<http://www.globalcas.com>

Specifications are subject to change for improvement without prior notice.



新發興機械(馬)有限公司
Sin Huat Hin Machinery (M) Sdn. Bhd.

241232-A

Since 1968

www.shmach.com sinhuathin@shmach.com